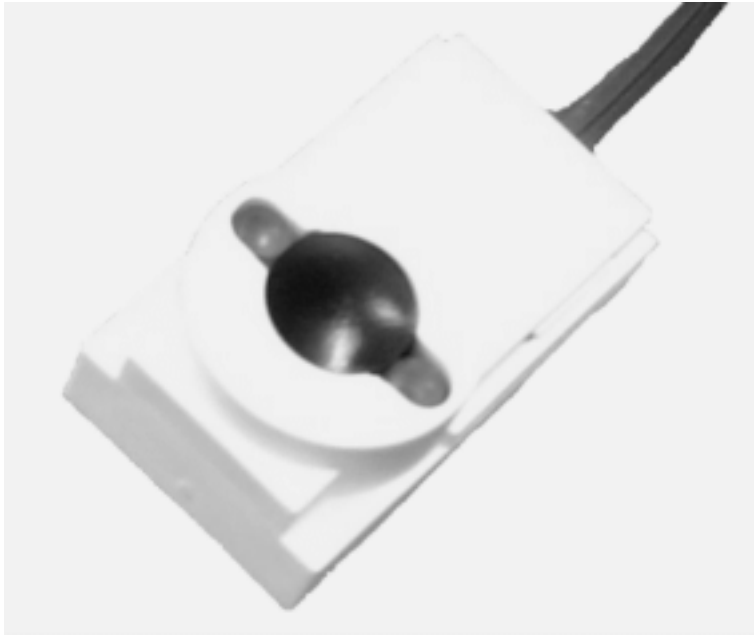


Operating instructions

III / 2004



DALI EASY IR

Version 1.0

OSRAM GmbH
Customer-Service-Center (CSC)
Steinerne Furt 6286167 Augsburg, Germany

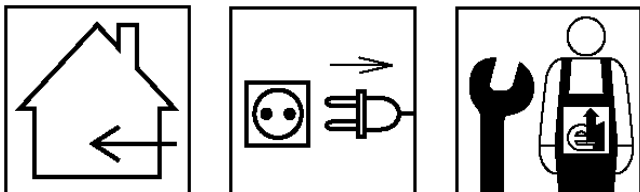
Tel. : (+49) 1803 / 677 - 200 (charges apply)
Fax.: (+49) 1803 / 677 - 202

www.osram.com
www.osram.de

Contents

General	Safety information	2
	Function	3
Installation	Design and dimensions	3
	Operation and mounting	3
	Technical data	4

Safety information



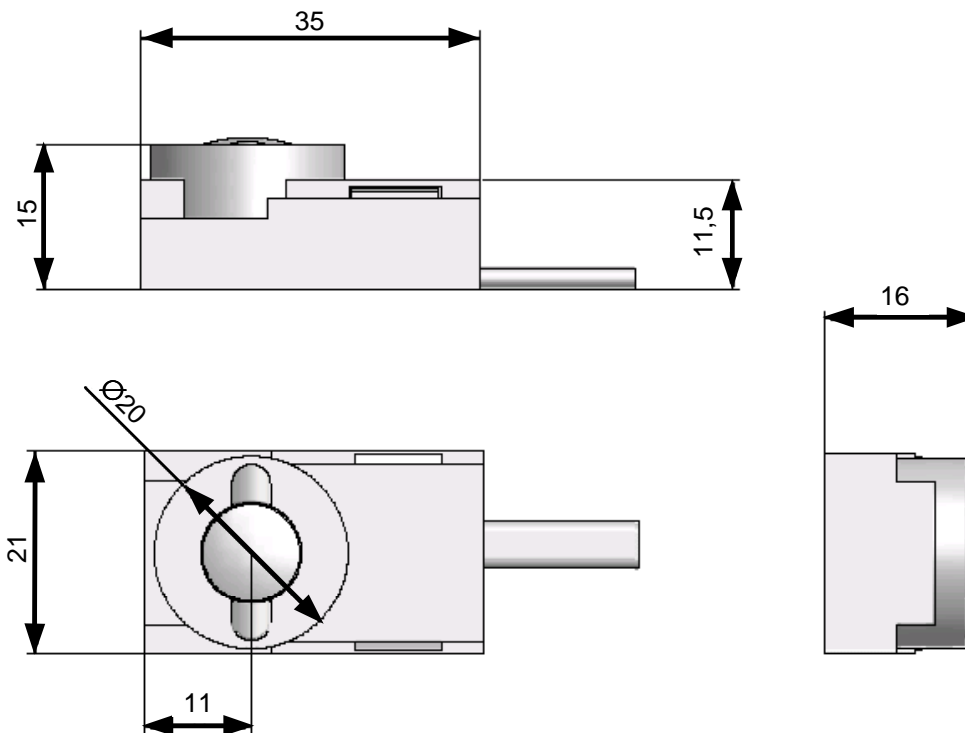
The following information is provided for your safety:

- Please read these operating instructions carefully before installing and using the infra-red receiver DALI EASY IR. This is the only way to ensure that you use the equipment safely and correctly. Keep these operating instructions in a safe place for future reference. You should make sure that everyone who uses the DALI EASY IR has read these operating instructions.
- DALI EASY is intended exclusively for operating with DALI EASY control units (see technical data).
- DALI EASY may only be installed by qualified personnel who have been appropriately trained and who have the relevant authority. The installation personnel must be familiar with the operating instructions. Power must be switched off before any work is undertaken on the unit.
- The relevant safety and accident prevention regulations must be observed.
- If the Infra-red receiver is wired with external voltage, particularly with a mains voltage of 230 V, the unit may be destroyed.

Function

The IR-receiver converts the digital coded infra-red signals of the remote controls type DALI EASY RMC into corresponding telegrams and transmits them to the connected DALI EASY control units.

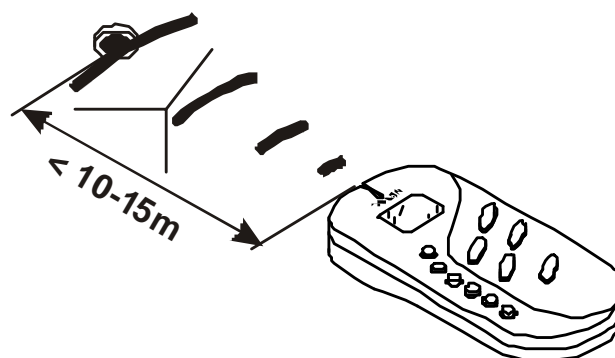
Design and dimensions



Operation and mounting

The infra-red receiver can be mounted in a luminaire, a ceiling panel or, with an appropriate cover, in a cavity socket. Make sure that the remote control can point at the infra-red sensor at as steep an angle as possible. Bear in mind that the maximum range of the remote control is around 10-15 metres.

The connection cable of the IR-receiver can be extended with the Y-connector type 'Y-Connector Multi 3' (max. cable length see technical data).



Note:

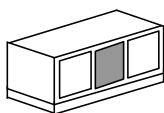
Make sure that there is a line of sight between the IR receiver and the remote control. Up to four IR receivers may be connected. To ensure that the remote control function operates properly, the IR receiver must not be exposed to direct light. Wherever possible, mount the IR receiver in a shaded spot.

Appendix

Technical data


Designation:	DALI EASY IR
Connections:	- fixed cable with RJ11 plug (length: approx. 2m) - max. 100m connection cable in total (<u>including all</u> connections between control units) - do not connection cable together with power cables or lamp wires.
Operating temperature:	0°C – + 50°C
Protection type:	IP20
CE requirements:	EMC according EN 61547, EN 61347-11
Dimensions:	35 x 21 x 16 mm (l x w x h)

Accessories (not included)



Y-CONNECTOR MULTI 3

Y-connector for extension of the IR-receiver cable

 The CE symbol signifies compliance with the relevant EU Directives.